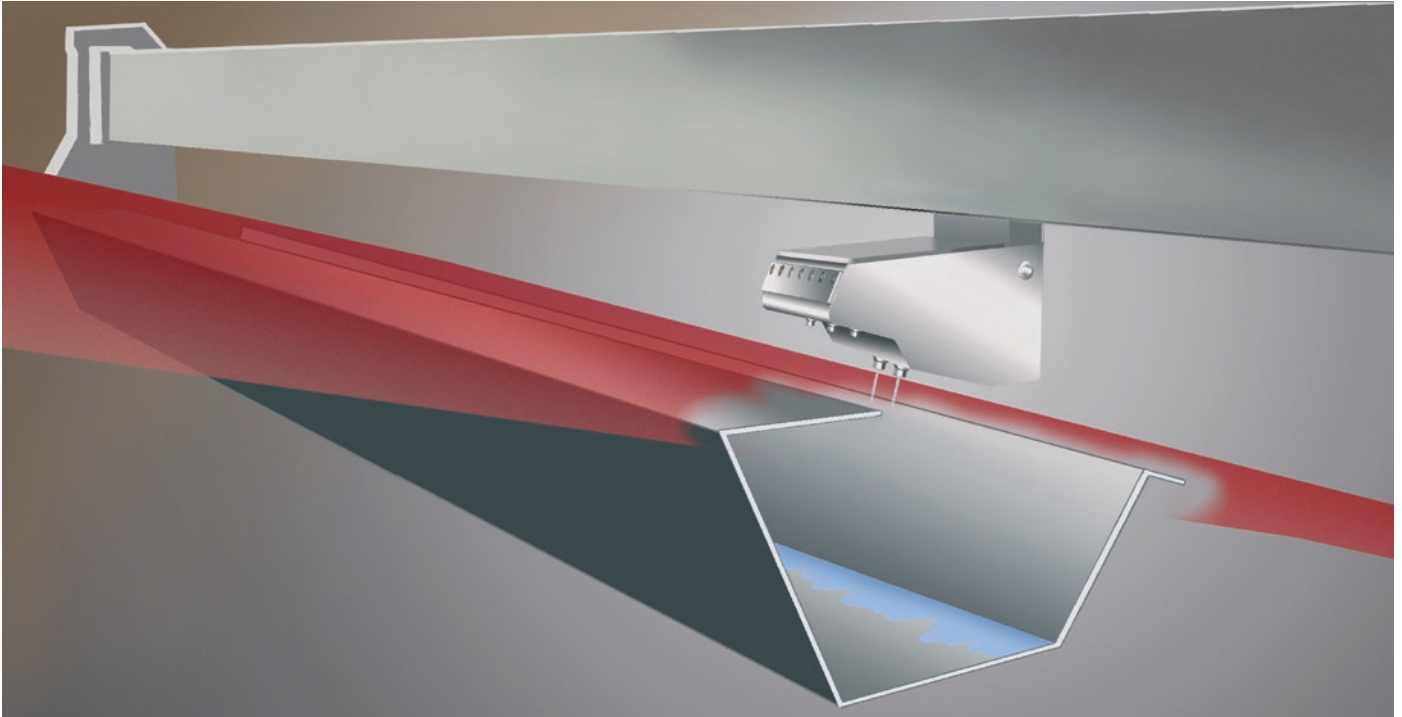


COMBOSPRINT

Dryer fabric cleaning



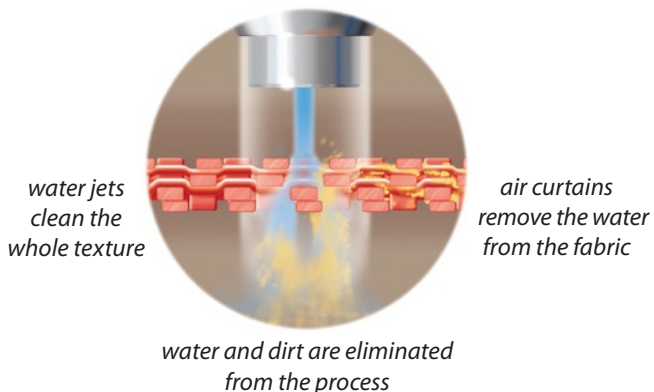
Fastpap ComboSprint is an efficient and reliable solution for cleaning the dryer fabric both during the process and web breaks. It cleans the fabric texture thoroughly without disturbing the moisture profile of the paper web.

Unique online cleaning method

The patented water/air nozzle solution removes dirt effectively from the fabric, bringing it into a save-all, which takes the dirt and water out of the process.

The save-all is located under the fabric, so no paper broke can get jammed in it, and this is also the most effective direction for removal of the impurities. Since the fabric is not cleaned against the roll, the impurities do not get into the inner cycle or stick to the roll surface.

Fastpap ComboSprint is dependable. It is based on well-designed, uncomplicated technology, and it does not include a vacuum system, which is often prone to malfunction. To ensure the reliable operation of the drive system, it can be installed outside the hood.



- Higher running speeds**
- Fewer shutdowns and faults**
- Even moisture profile**
- Lower energy consumption**
- Longer dryer fabric life time**
- Less chemicals**
- Better end-product quality**

COMBOSPRINT

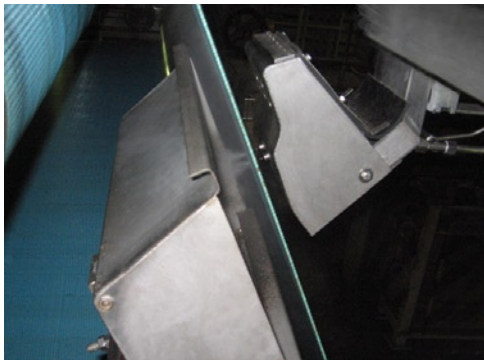
Perfect cleanliness

The ComboSprint method cleans the whole structure of the dryer fabric. Best results are achieved when cleaning continuously, because this prevents the impurities from accumulating in the fabric, and the performance of the fabric stays constantly at optimal level.

During web breaks, Fastpap ComboSprint operates in a more efficient cleaning mode, using more water and optimizing the cleaning speed according to the machine speed, so that no streaking will occur.

Easy to install and maintain

Thanks to its simple, compact structure, Fastpap ComboSprint is reliable and easy to install. The cleaning head can be driven outside the hood, where it is possible to carry out maintenance activities, such as changing the nozzles, while production is continuing.



Fastpap ComboSprint can also be installed at a vertical position, and the cleaning results will still be excellent.

Technical data

Beam

Length: 3 000 - 12 500 mm
Weight: 300 - 1 250 kg
Material: AISI 304 (AISI 316 optional)
Maximum operating temperature: 120 °C

Nozzle head

Traversing area: 2 000 - 11 500 mm
Traversing speed: 20 - 90 mm/s
Material: AISI 316
Maximum cleaning pressure: 300 bar

Pneumatic and water systems

Air supply pressure: 4 - 7 bar
Water supply pressure: 3 - 10 bar

Electricity system (beam)

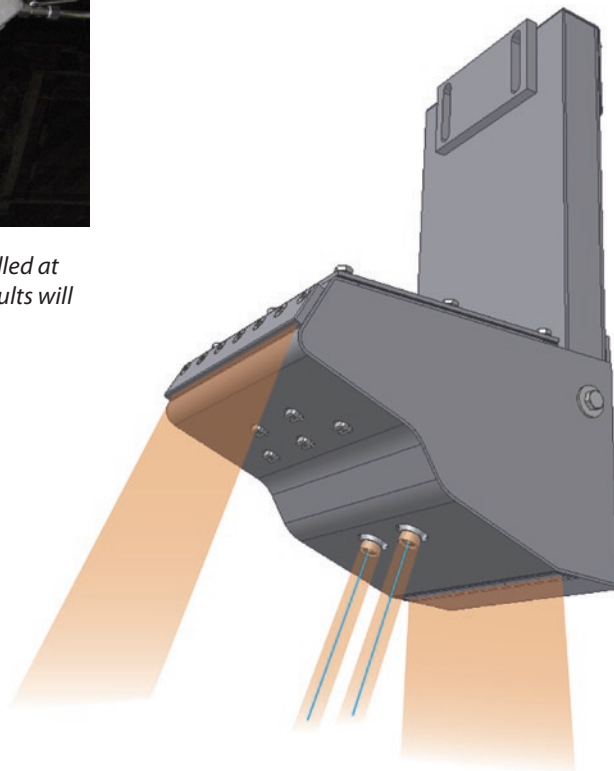
3 x 400VAC (50Hz)
0.18 kW

Electricity system (pump)

3 x 400/690VAC (50Hz)
22kW (maximum capacity)

Control system

Siemens S7



Quality

Reliability

Customer care

Fastpap

Fastpap Oy

Kuukuja 12

FI-33420 Tampere, Finland

Tel. +358 3 3142 4400

Fax +358 3 3142 4401

www.fastpap.com

